

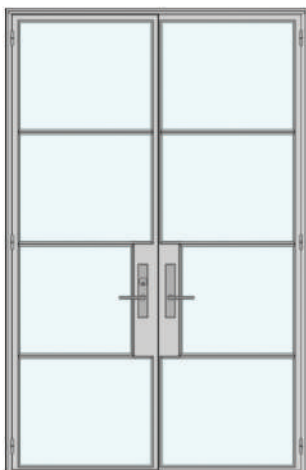


## TRUE STEEL PROFILES



Nothing compares to the thin lines and reconfigurability of Euroline's True Steel product offerings. Solid steel profiles are used in the most creative window and door solutions on the market. Elegantly framing and accentuating a spectacular view is simply not possible with other materials like wood or aluminum, where the material often commands attention.

Euroline True Steel products are built to manage a great variety of insulated low-E glass, and frame mounting options, yet the combination of materials appears almost weightless. Upon closer inspection, these windows and doors offer a sense of security, quality and substance that must be experienced to be fully appreciated. When the classic look and feel of steel is required, Euroline True Steel is it. Classic, elegant, solid, and impossibly thin.



 **SAI GLOBAL**  
**ISO 9001**  
**Quality**

ISO 9001 is a quality standard that is recognized globally for helping companies do business consistently, repeatably and reliably.

Our certified ISO 9001 quality system is not easy to attain or maintain, and continually pushes Euroline toward continuous improvement, and helps us keep our promise to provide the highest manufacturing quality possible.

# PRODUCT TYPES

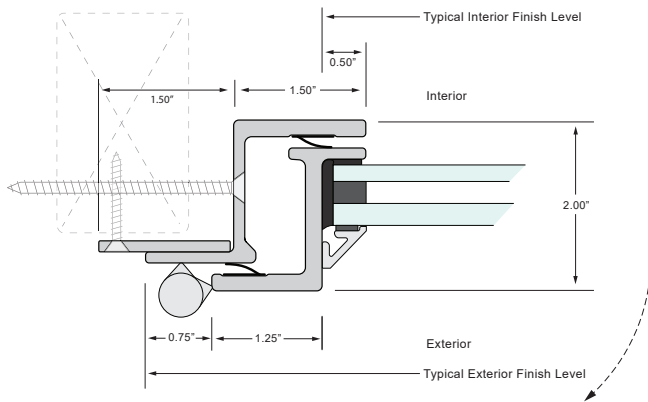
- Casement Windows
- Awnings & Windows
- Bi-Fold Doors
- Sliding Doors
- Swing Doors
- Pivot Doors
- Curtain Walls
- Specialty Doors and Windows
- Wine Rooms

# PERFORMANCE

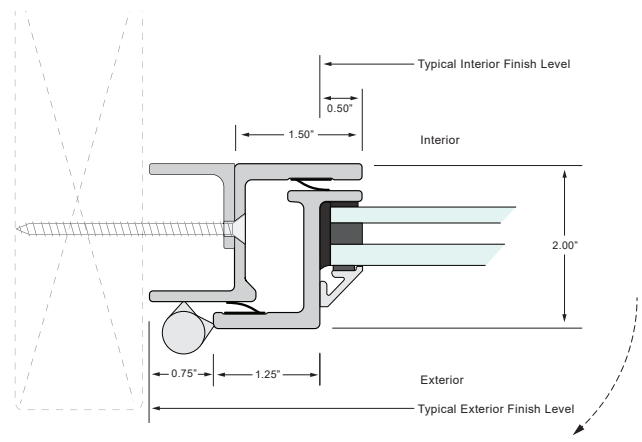
## TRUE STEEL

1/4" Temp SN68-1/2" Aluminum Spacer Argon-3/16" IS20 Temp Clear

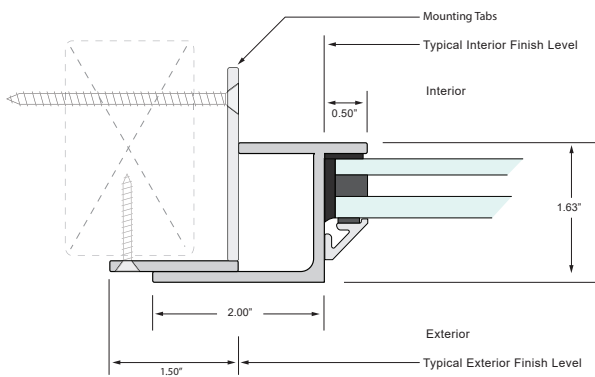
| FIXED    |      |      | CASEMENT AWNING |      |      | OUTSWING DOOR |      |      | INSWING DOOR |      |      | SLIDING DOOR |      |      | BI-FOLD DOOR |      |      |
|----------|------|------|-----------------|------|------|---------------|------|------|--------------|------|------|--------------|------|------|--------------|------|------|
| U FACTOR | SHGC | VT   | U FACTOR        | SHGC | VT   | U FACTOR      | SHGC | VT   | U FACTOR     | SHGC | VT   | U FACTOR     | SHGC | VT   | U FACTOR     | SHGC | VT   |
| 0.33     | 0.33 | 0.59 | 0.42            | 0.31 | 0.55 | 0.35          | 0.33 | 0.58 | 0.37         | 0.31 | 0.55 | 0.46         | 0.27 | 0.46 | 0.42         | 0.30 | 0.52 |



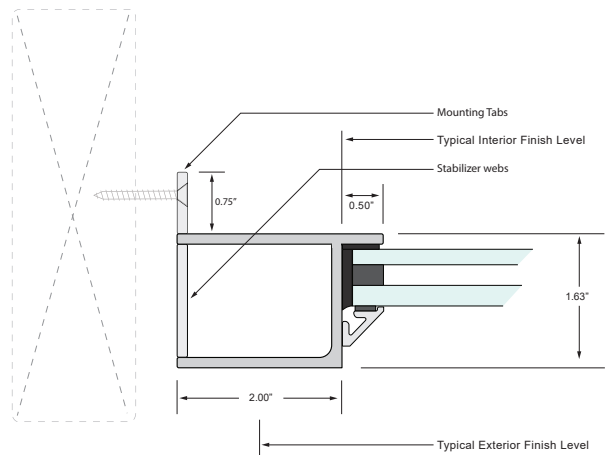
1500 TRUE STEEL OUTSWING



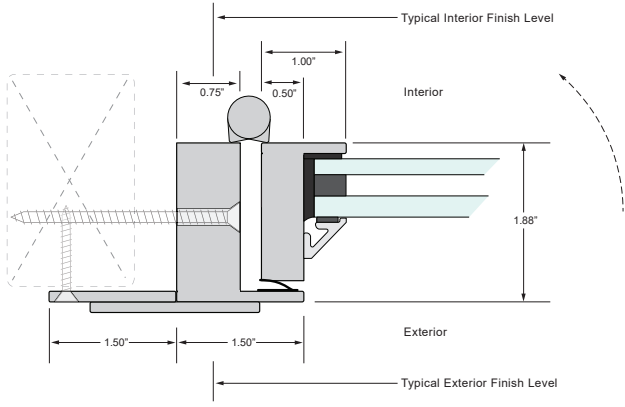
4000 TRUE STEEL OUTSWING



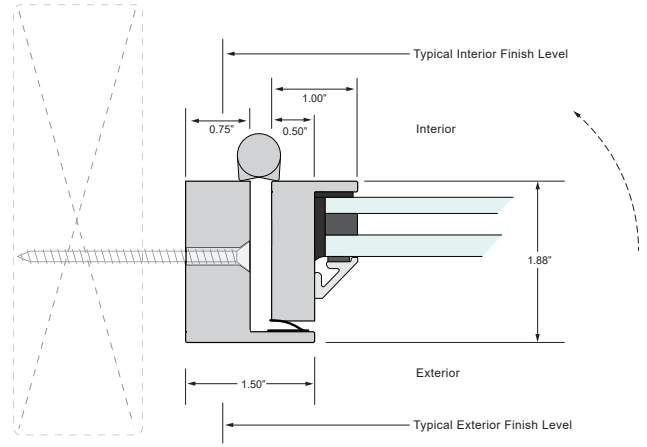
1500 TRUE STEEL FIXED



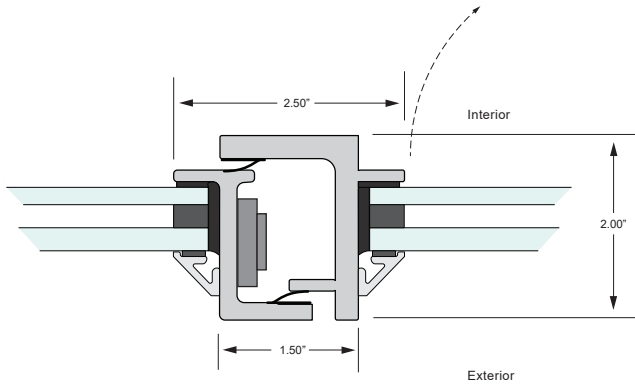
4000 TRUE STEEL FIXED



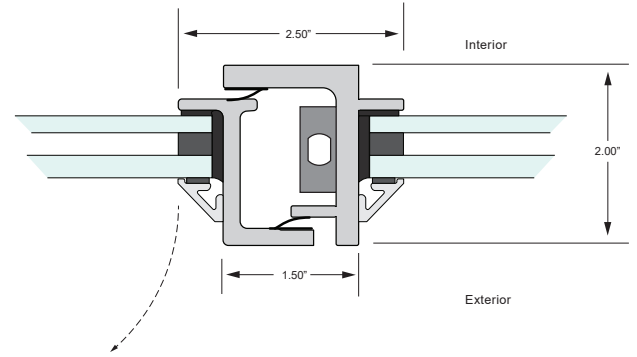
*1500 TRUE STEEL INSWING*



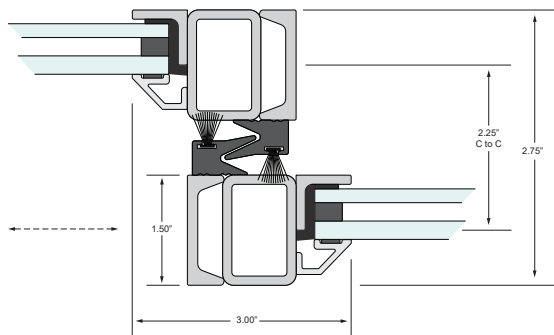
*9000 TRUE STEEL INSWING*



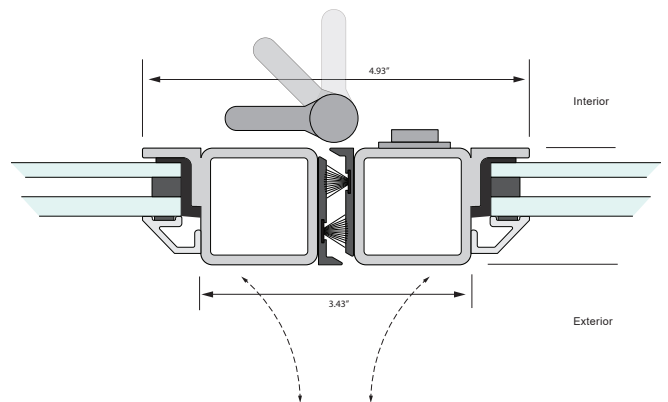
*TRUE STEEL FRENCH INSWING ASTRAGAL*



*TRUE STEEL FRENCH OUTSWING ASTRAGAL*



*TRUE STEEL SLIDER INTERLOCK*



*TRUE STEEL BIFOLD HINGED*



We work with clients to select custom colors, finishes and textures that are extraordinary and unique as they are.

## POPULAR COLOR OPTIONS

---



Carbon Black



Euro Bronze



Phantom Gray



Spring Gray

## ZINC METALIZATION

---



We start with a base frame that is crafted from steel.

After fabrication, the steel surfaces are sandblasted and then immediately thermal sprayed or “Zinc Metalized” to protect the steel from corrosion.

Zinc metalization is similar to hot-dipped galvanizing (both are zinc coatings) however zinc metalization provides a thicker zinc layer that is more pure, more corrosion resistant and can be alloyed with aluminum for special conditions like coastal locations.

Since zinc metalization is done by actually melting zinc and applying the molten metal directly to the steel with a special spray gun, the zinc surface produced is a bit rough and suitable for painting (unlike hot dipping). The process does not produce off-gas or require noxious chemicals, and is environmentally safe.

The zinc will oxidize more quickly and the zinc oxides seal the surface immediately so that oxygen cannot reach the steel substrate. These zinc oxides are non-soluble and do not wash off.

The unique properties of this protection can even “heal” minor scratches in the zinc layer and continue to protect the steel substrate.

## HARDWARE TYPES

---

We offer many options from our hardware partners.



**BALDWIN®**

ROCKY MOUNTAIN  
H A R D W A R E

True steel multi-point latching configurations available.

## LEVER AND HINGE TYPES

---



Curved Lever



Squared Lever



Barrel Hinge



4-Bar Hinge